

## ALUMINIUM SLIDING SYSTEM

**Profiles:** Alutech (Belarus)

**Colours:** white (RAL 9016), grey anodized (RAL 9006) or brown (RAL 8017) as standard; possibility to paint under any RAL xxxx colour

**Glazing:** 4 mm tempered glass float

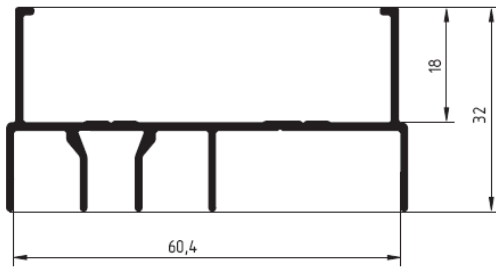
**Insulation:** brushes



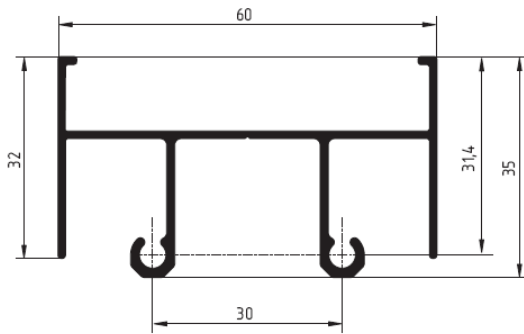
### 2-rails system



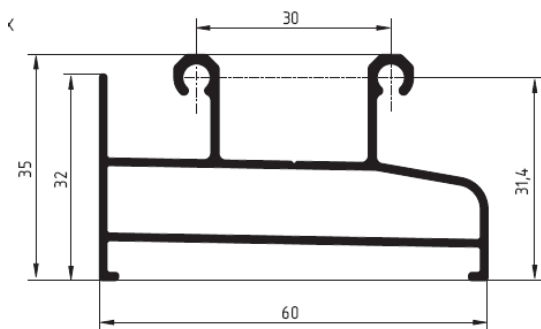
Frame side profile (1):



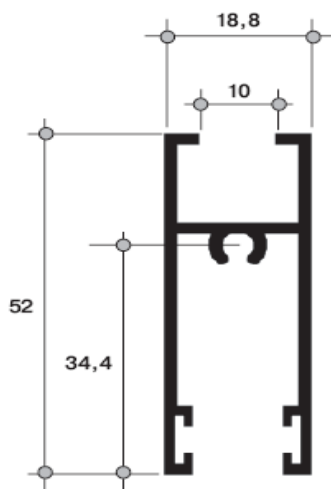
The upper frame profile (2):



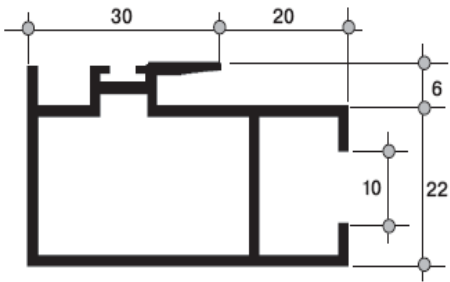
Frame of the lower profile (3):



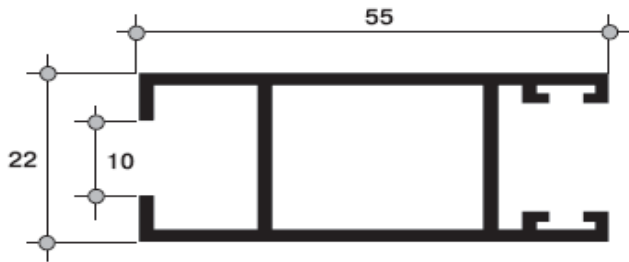
Horizontal profile (4):



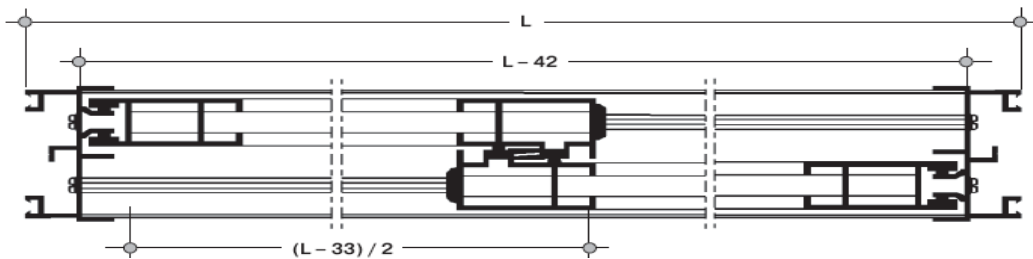
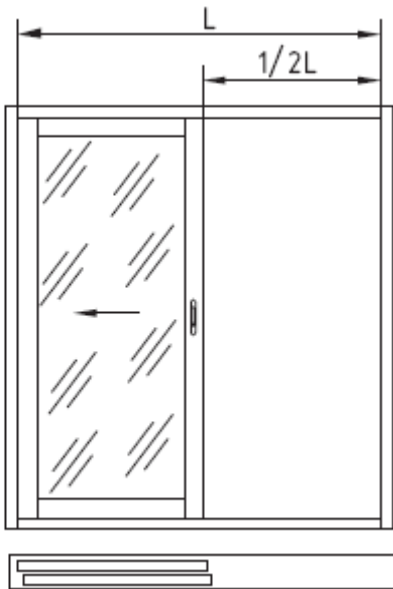
Central profile (5):



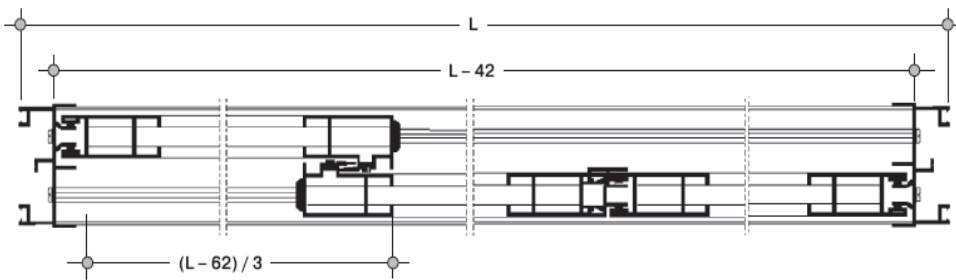
Vertical profile (6):



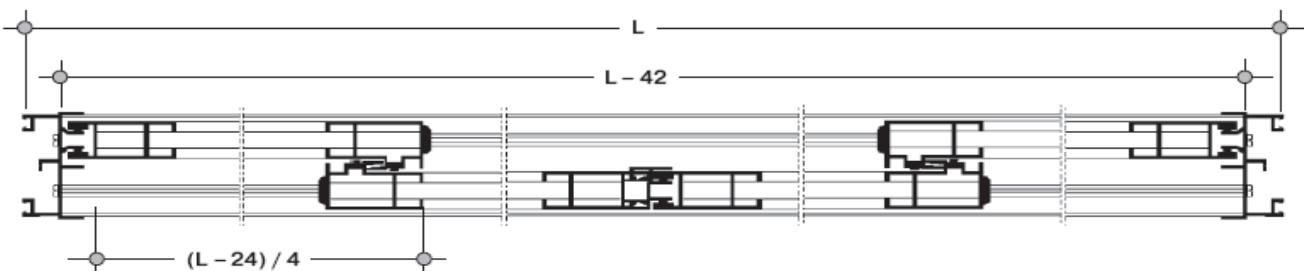
2 rails, 2 sashes



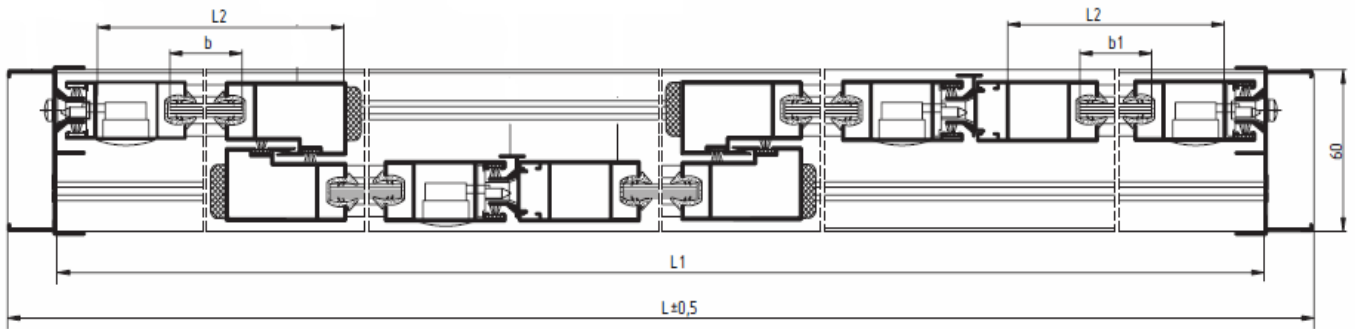
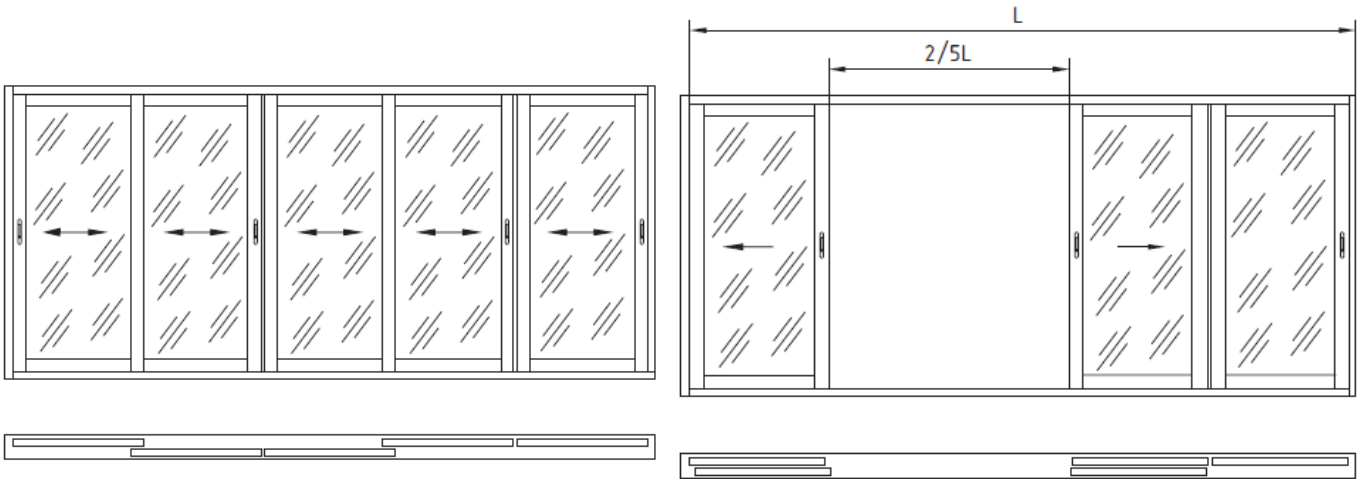
2 rails, 3 sashes



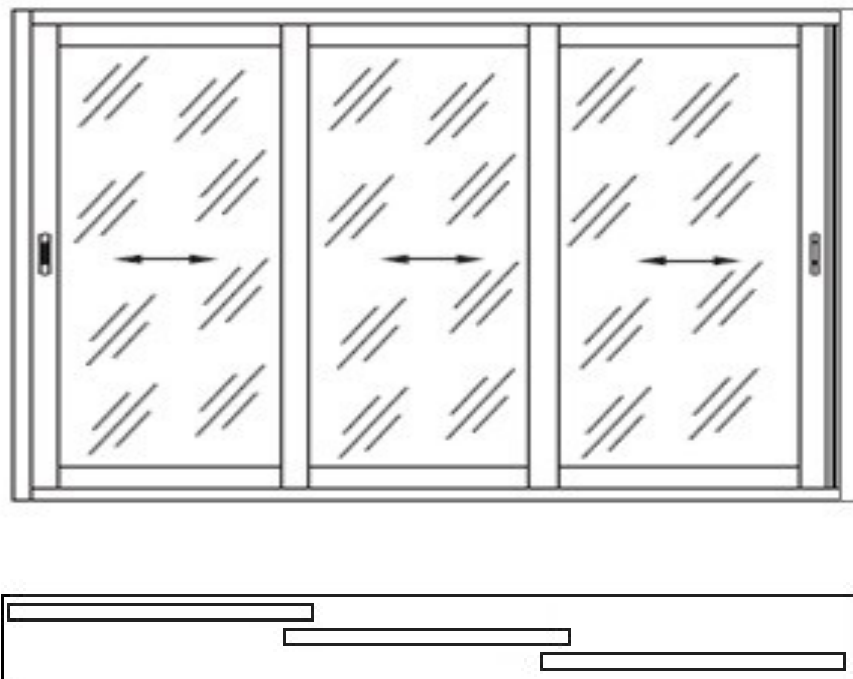
2 rails, 4 sashes



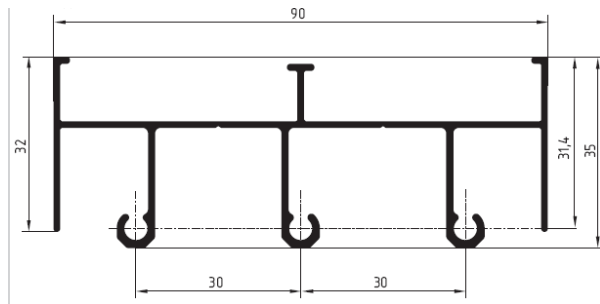
2 rails, 5 sashes



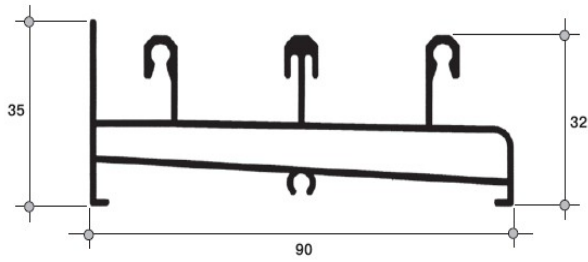
### 3-rails system



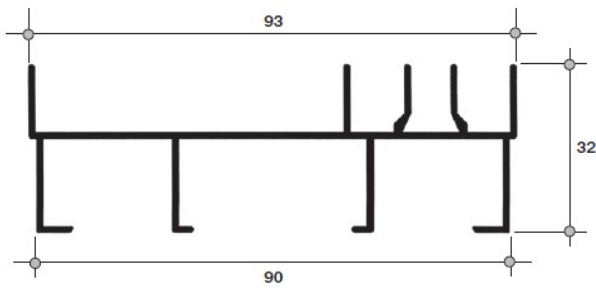
The upper frame profile:



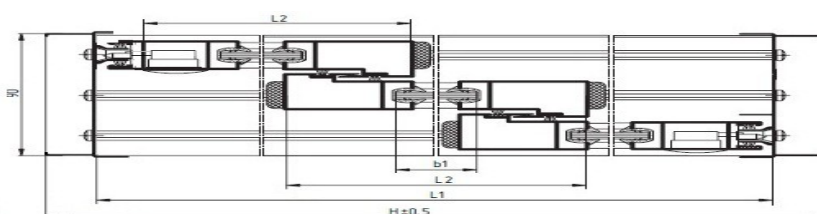
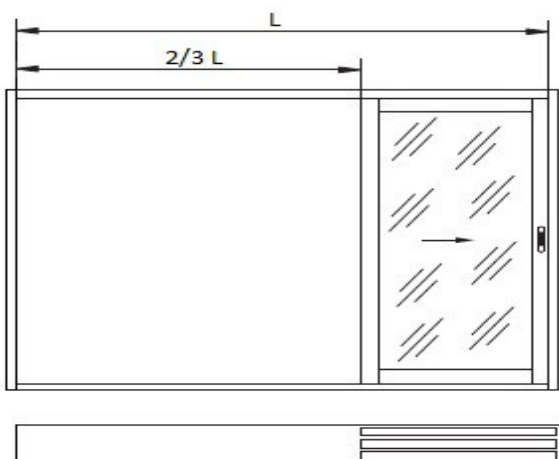
Frame lower profile:



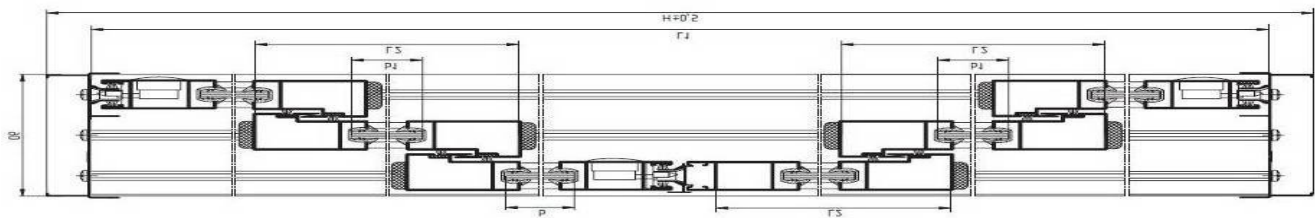
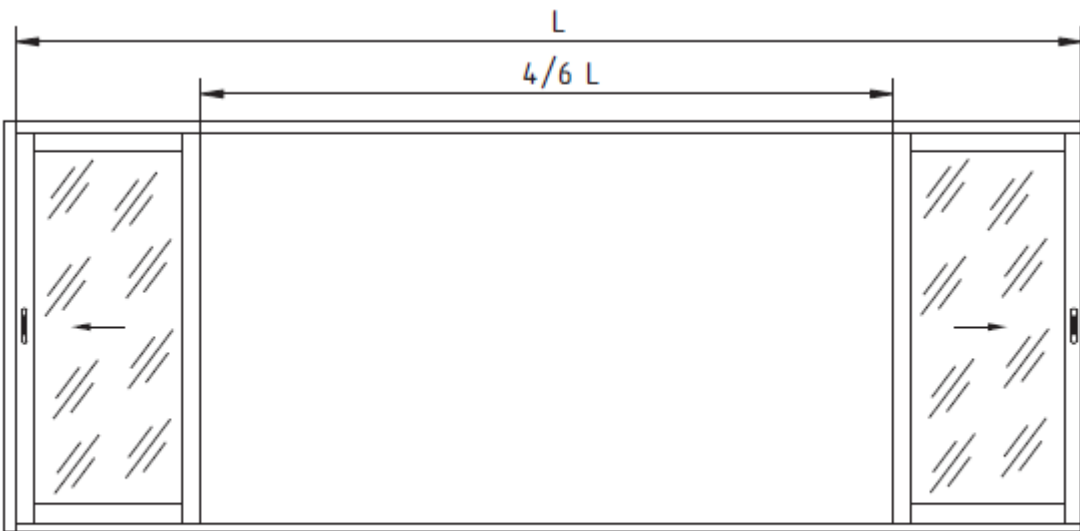
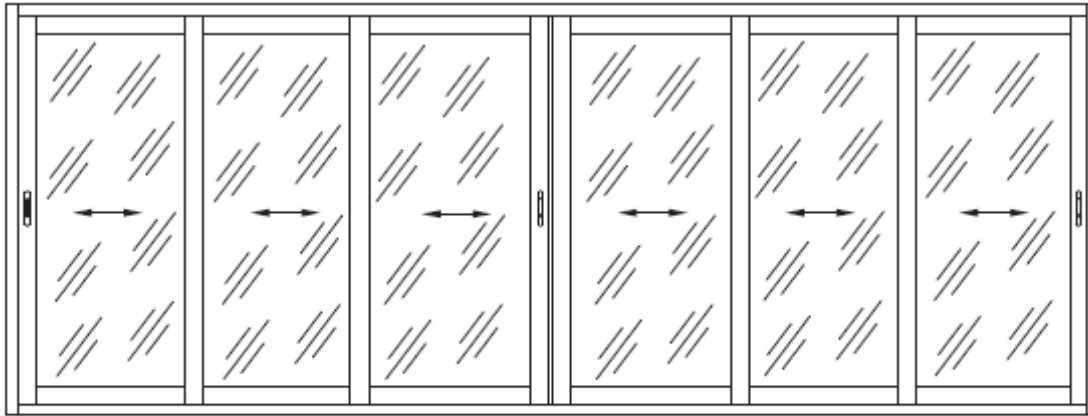
Frame side profile:



3 rails, 3 sashes

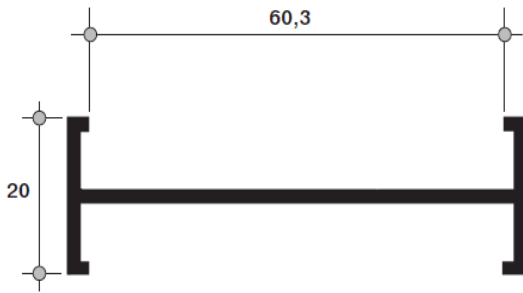


3 rails, 6 sashes

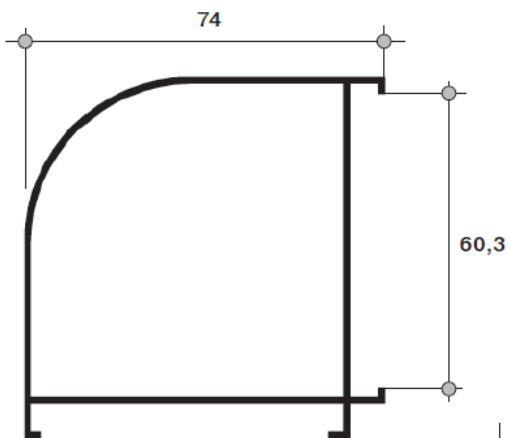


## Connection profiles

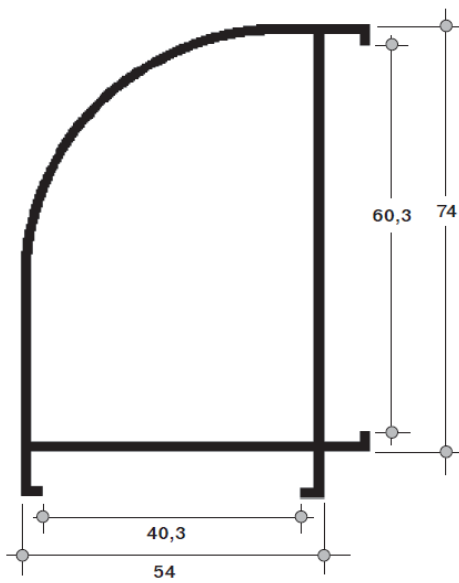
Connection Profile (H):



Angle connector 60 x 60:

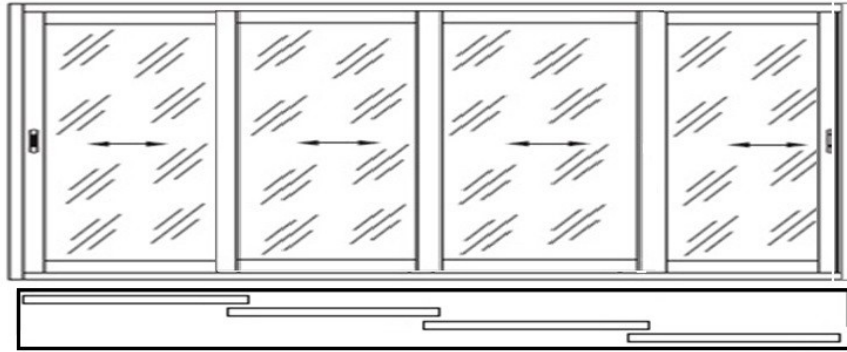


Angle connector 60 x 40:

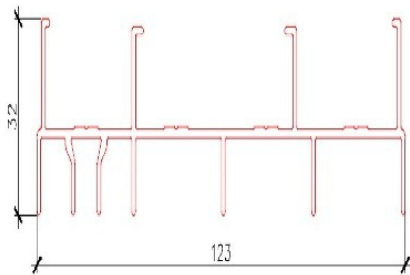




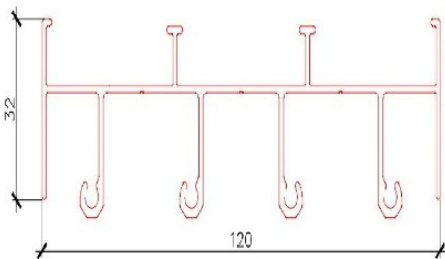
## 4-rails system



Frame side profile:



The upper frame profile:



Frame lower profile:

