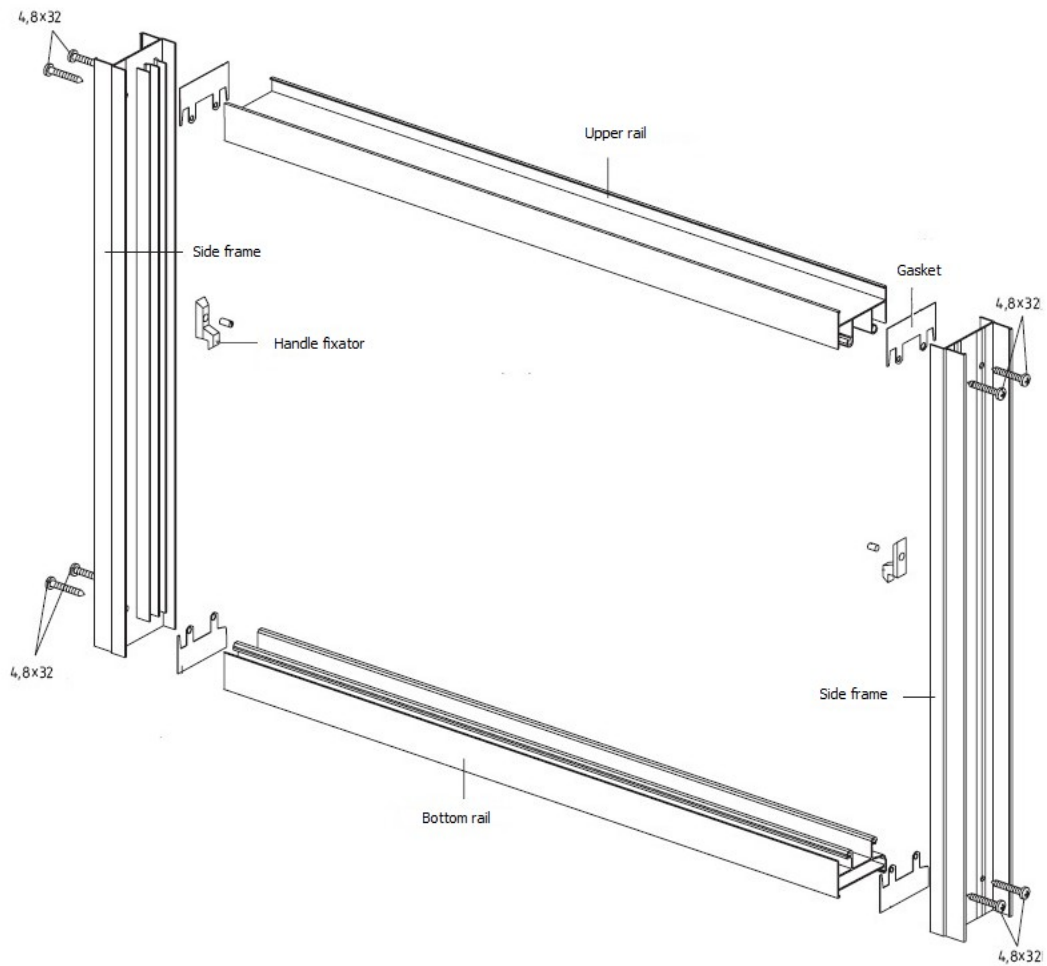
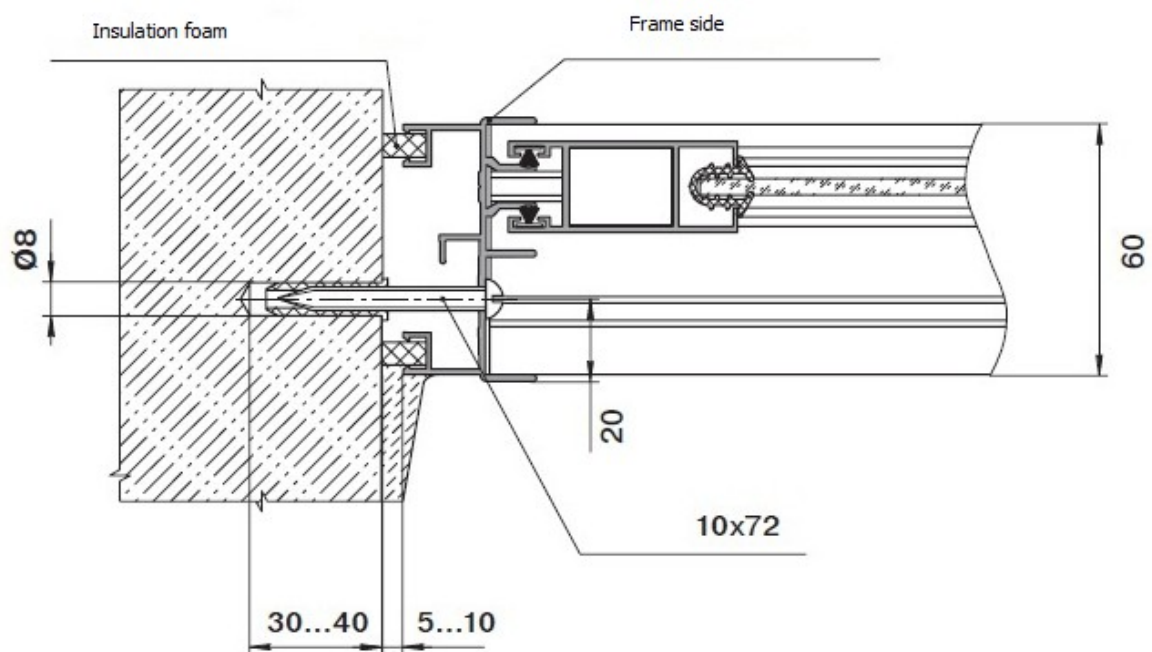


ALUMINIUM SLIDING SYSTEM INSTALLATION SCHEMES

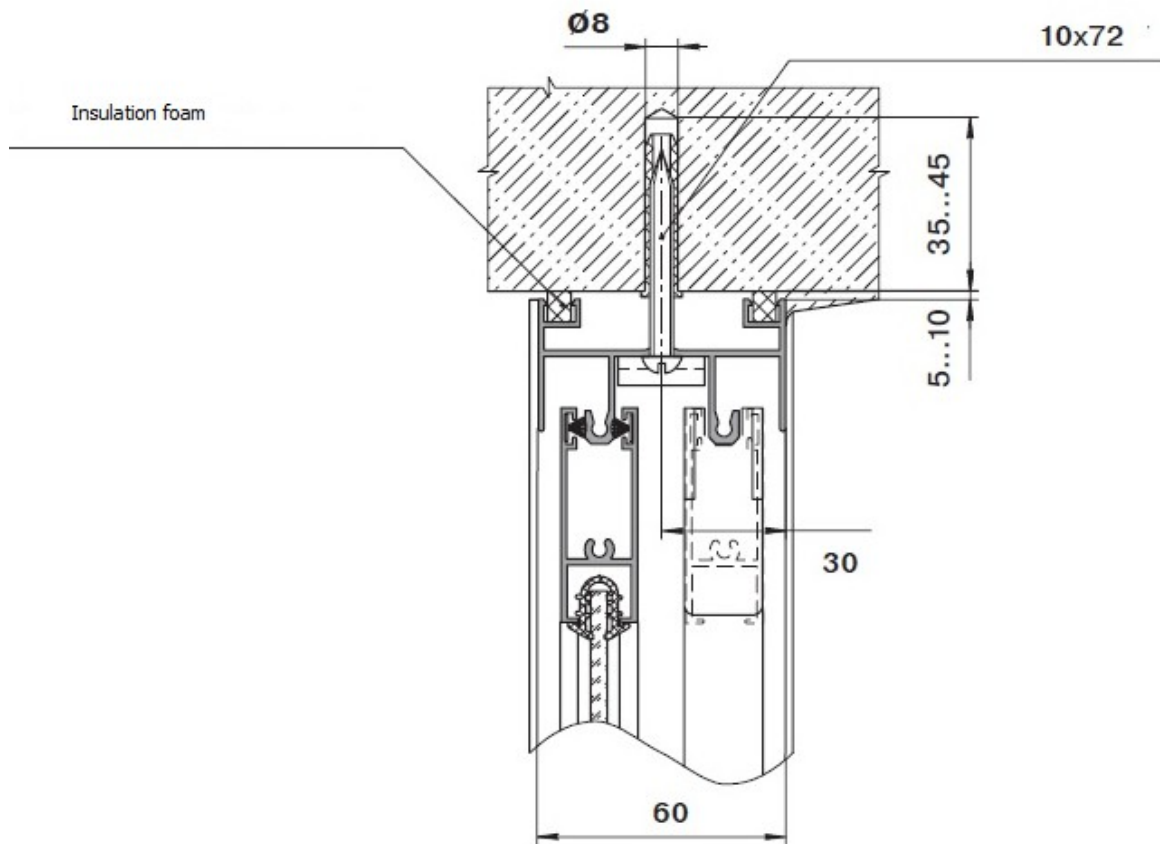
Frame installation scheme



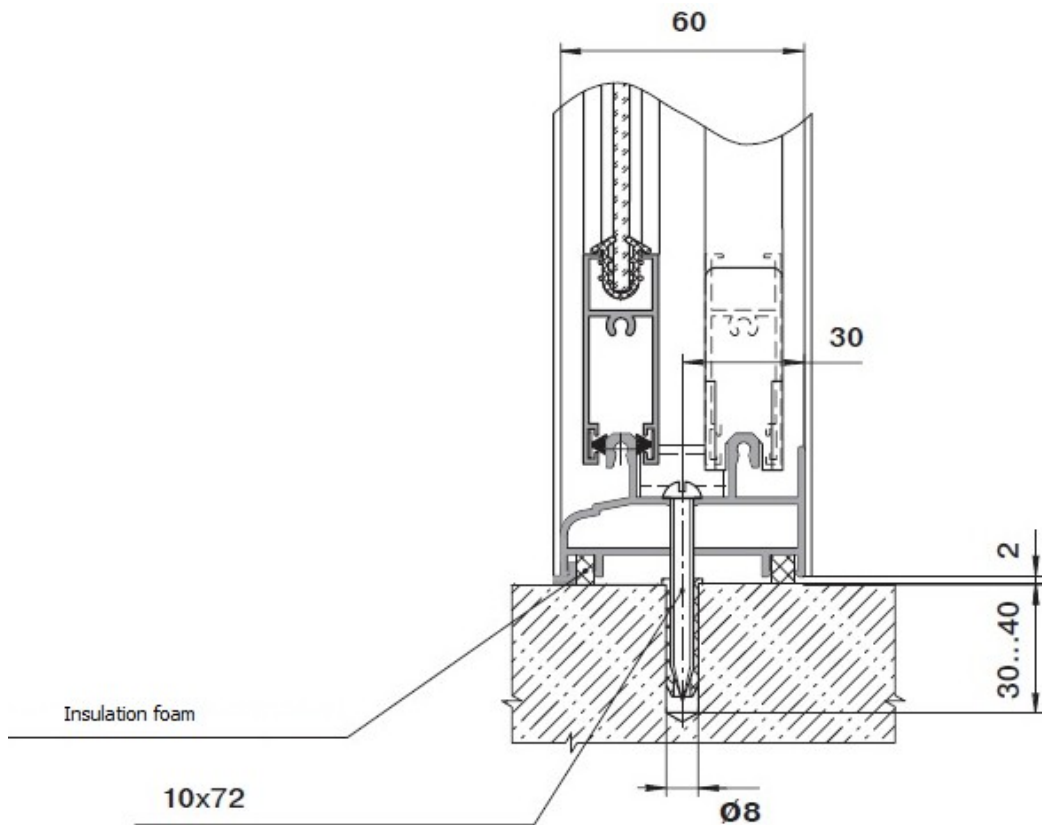
Side rail fixation to wall installation scheme



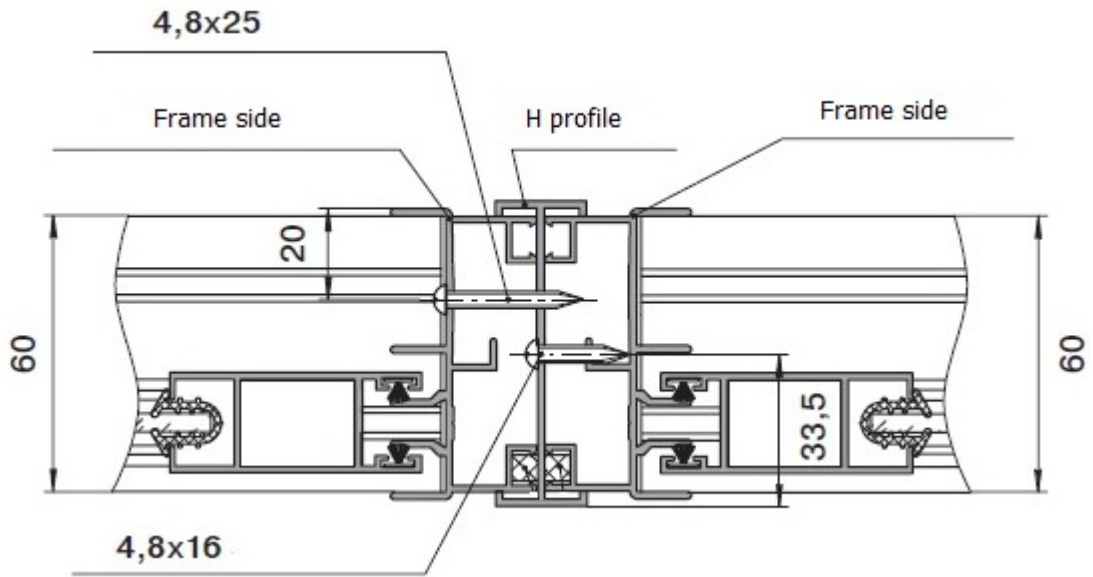
Upper rail fixation to wall installation scheme



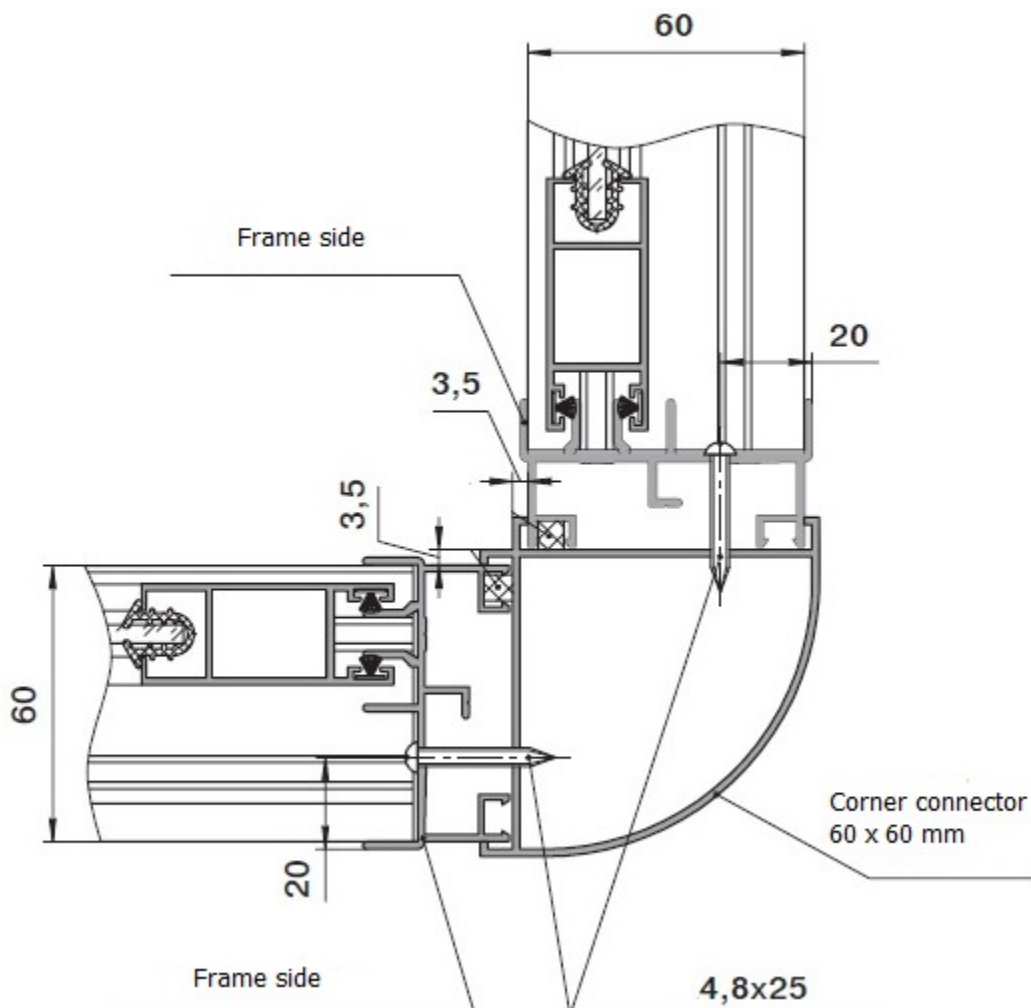
Bottom rail fixation to wall installation scheme



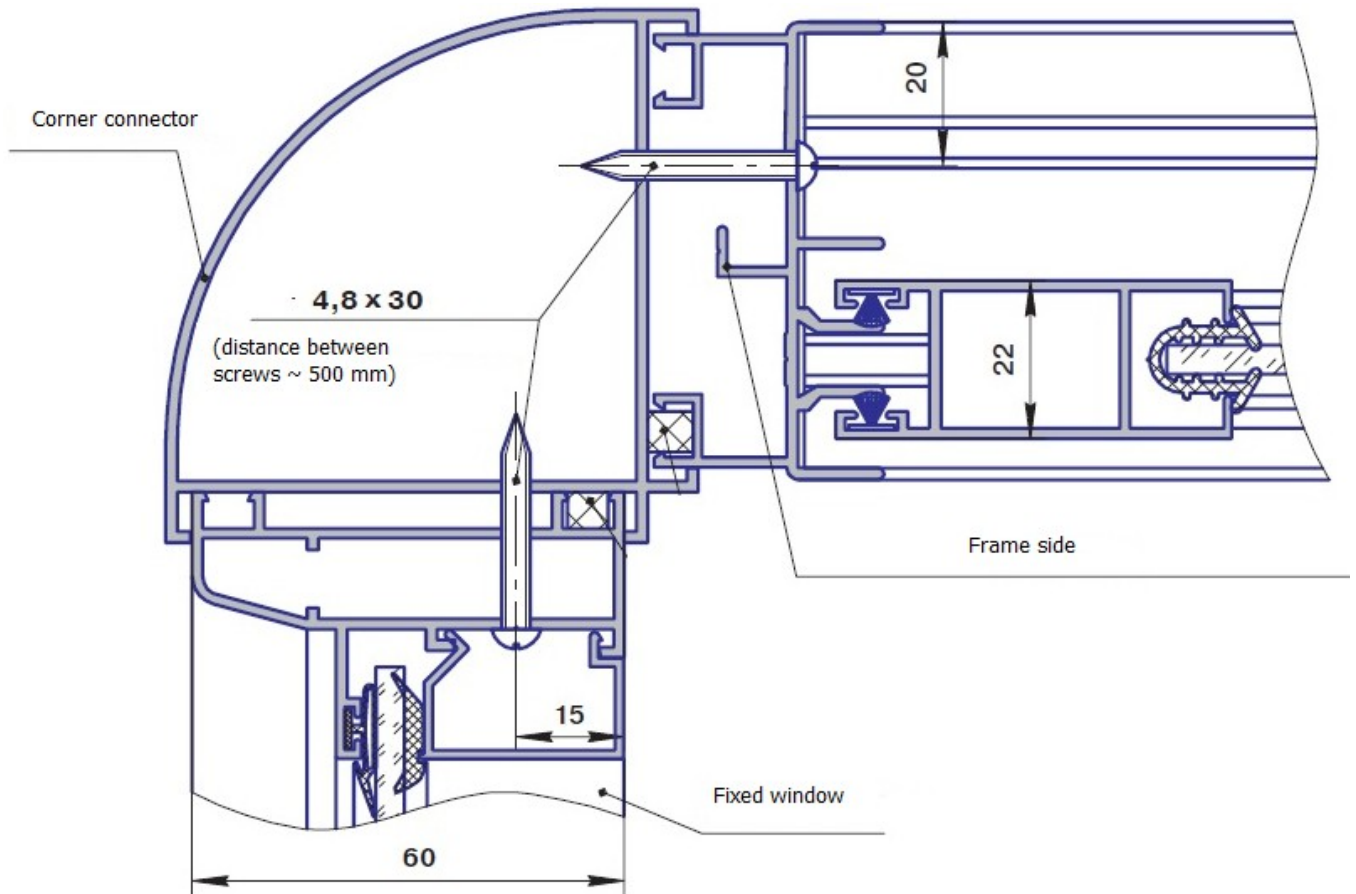
Frame to frame connection with H profile installation scheme



Connection of 2 sliding systems with corner profile installation scheme



Sliding system to fixed window connection with corner profile installation scheme



2 sliding systems (or sliding system to 60 mm width fixed window) connection with adjustable corner profile installation scheme

