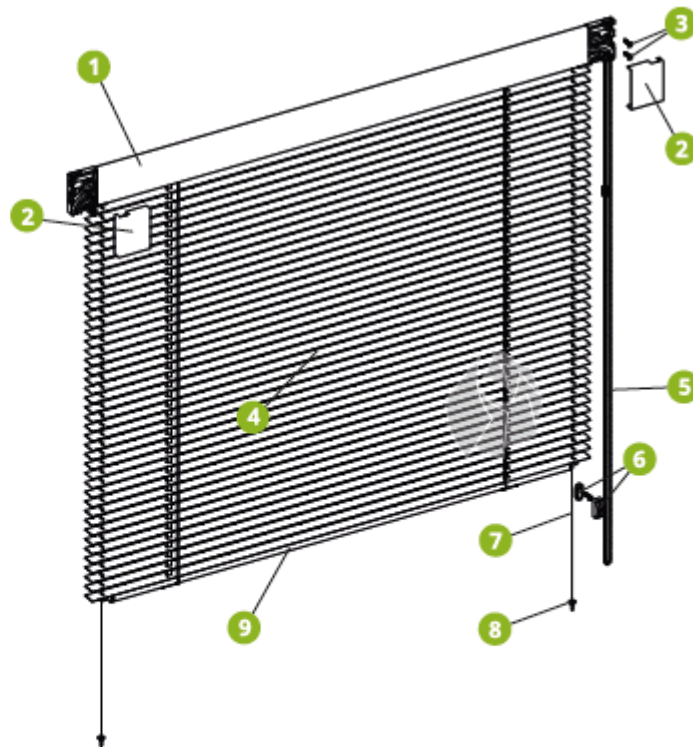


# SYSTEM OF VENETIAN BLINDS ISO CHAIN

## MEASUREMENT & INSTALLATION INSTRUCTIONS

### COMPONENTS:

- 1 UPPER PROFILE
- 2 SIDE COVER
- 3 SCREWS
- 4 BLIND SLATS
- 5 CONTROL CHAIN
- 6 CHAIN RETAINER
- 7 BLIND CABLE
- 8 CABLE RETAINER
- 9 LOWER PROFILE



### PRODUCT FEATURES:

Minimal width of the blind is 250 mm.

Maximal width of the blind is 1700 mm.

Maximal height of the blind is 2500 mm.

Width of venetian blind slats can be 16 or 25 mm.

Venetian blinds Iso Chain are operated by a chain for turning and lifting up the slats.



The color of the upper and lower profiles and control mechanism of venetian blinds Iso Chain is white.

# SYSTEM OF VENETIAN BLINDS ISO CHAIN

## MEASUREMENT & INSTALLATION INSTRUCTIONS

### MEASUREMENT:

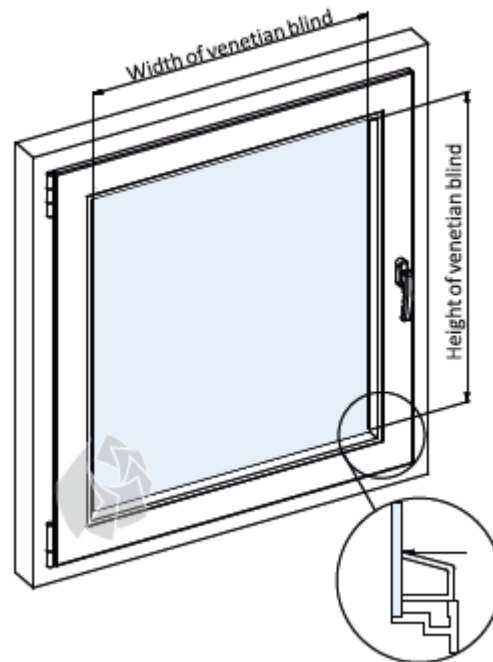
For the measurement of the blind system ISO CHAIN two measurements are necessary, blind width and height:

**Width of venetian blind** – the width of the glass from the edge of the rubber till the edge of another rubber is measured and indicated.

**Height of venetian blind** – the height of the glass from the edge of the rubber till the edge of another rubber is measured and indicated.

When ordering the product, it is necessary to indicate the opening side. If the window opens, it is recommended to choose the opposite side than that with the handle.

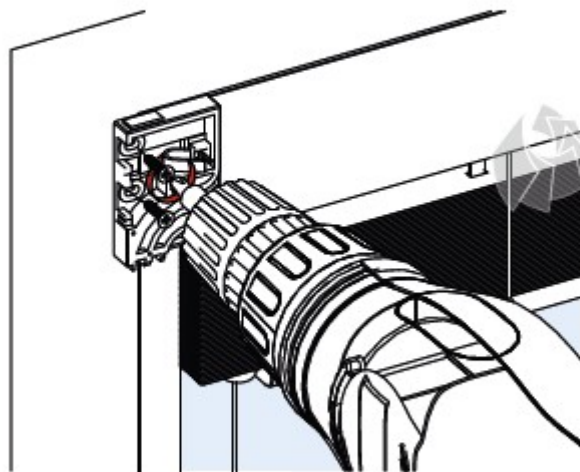
If the depth of the glass band is below 19 mm, it is necessary to order additional retraction pads.



### INSTALLATION:

#### Step 1.

Place the blind onto the window, center it. Screw on the blind.



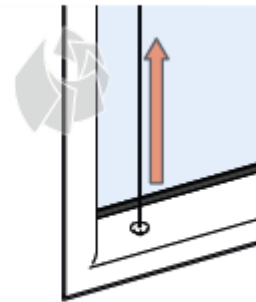
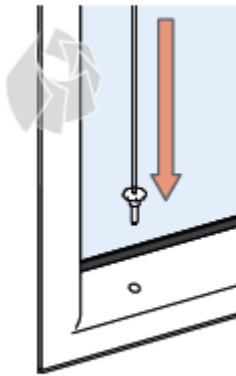
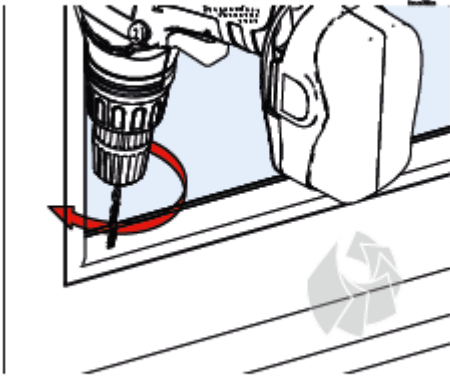
If the depth of the glass band is below 19 mm, before screwing on the blinds, retraction pads need to be placed.

# SYSTEM OF VENETIAN BLINDS ISO CHAIN

## MEASUREMENT & INSTALLATION INSTRUCTIONS

### Step 2.

Screw the holes on the bottom of the window and attach blind cords. Insert the retainers and check if they are firm enough.

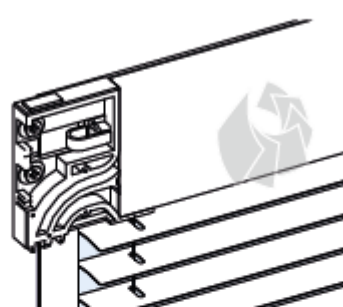
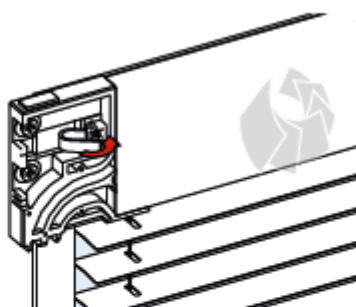
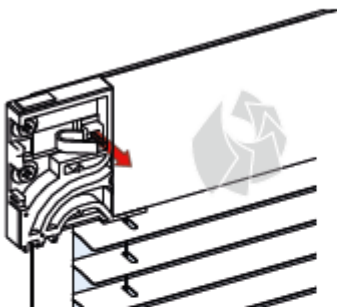


Before screwing, make sure that the cable goes vertically down (not across), and only then screw.

It is recommended to use 2 mm thick drill; otherwise, the retainer might not be firm enough.

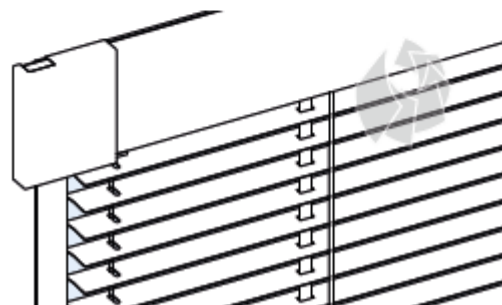
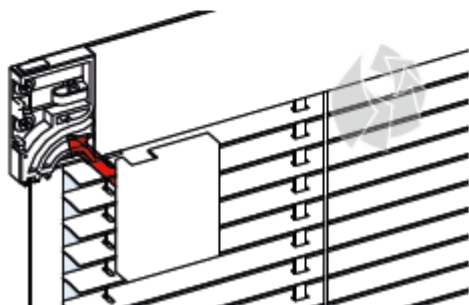
### Step 3.

Make sure the cords are tight enough. In necessary, adjust the tightness of the cords. For that, first of all, the cassette needs to be slightly released, then screwed back again.



### Step 4.

Close the profile cover.

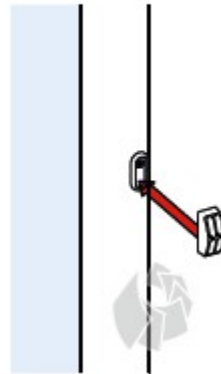
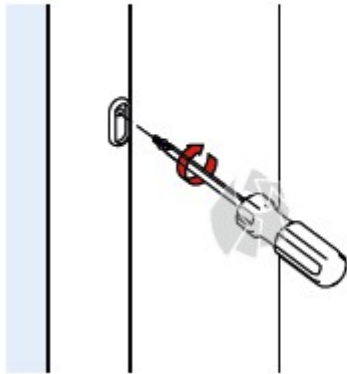


# SYSTEM OF VENETIAN BLINDS ISO CHAIN

## MEASUREMENT & INSTALLATION INSTRUCTIONS

### Step 5.

Screw the chain retainer onto the window frame.



### Step 6.

Test the mounted blind.

